



Beverage Dispensing System Hot Beverage Dispenser for soluble powder, 2 containers, black

ITEM # _____

MODEL # _____

NAME # _____

SIS # _____

AIA # _____



560024 (GH2)

Soluble powder hot
Beverage Dispenser with
2x500 gr containers and 2,4
l water tank

Short Form Specification

Item No. _____

Hot beverage dispenser for powder based drinks with 2 containers, 500gr each and 2,4lt water tank. Front panel LED backlighting. Completely removable powder containers. Sliding panel for easy filling of the water tank. Mechanical and programmable control board. Multilanguage menu. Chip card on request.

Main Features

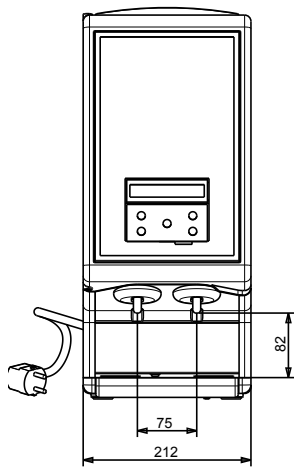
- Hot beverage dispenser for powder based drinks.
- Front panel LED backlighting.
- Completely removable powder containers.
- Sliding panel for easy filling of the water tank.
- While the machine works, display indicates:
 - dispensing phase
 - water level too low;
 - flavour being delivered;
 - cleaning required;
 - heating stage;
 - expired credit, if the machine is equipped with the chip card system;
 - filter replacement required.
- Mechanical and programmable control board.
- Multilanguage menu.
- Chip card on request.

APPROVAL: _____

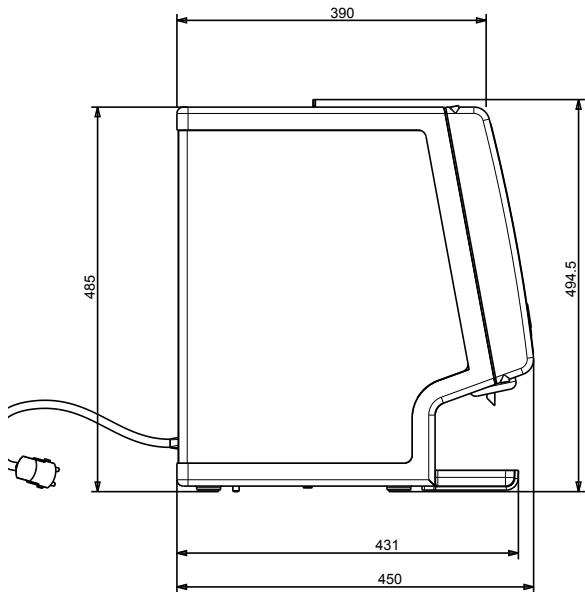


Experience the Excellence
www.electroluxprofessional.com

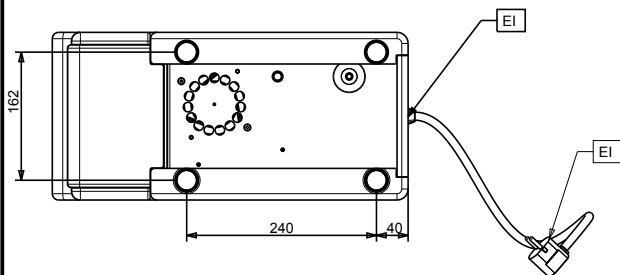
Front



Side



Top





Electrolux
PROFESSIONAL

Beverage Dispensing System Hot Beverage Dispenser for soluble powder, 2 containers, black

Electric

Supply voltage: 220-240 V/1 ph/50 Hz
Electrical power max: 1.25 kW

Key Information:

Net weight: 15 kg
Shipping weight: 18 kg
Shipping height: 620 mm
Shipping width: 260 mm
Shipping depth: 520 mm
Shipping volume: 0.08 m³



Beverage Dispensing System
Hot Beverage Dispenser for soluble powder, 2 containers, black
The company reserves the right to make modifications to the products
without prior notice. All information correct at time of printing.

2025.04.18